

Zolo



Design: P&S Studio

Zolo

AC-2033

CONFIGURATIONS

OTTOMAN • ARMLESS CHAIR • ONE ARM CHAIR • CORNER • ARMLESS WITH BUMPER

*Top view shown at 1/4" scale.

*Line drawing shown as right facing, also available as left facing.

SPECIFICATIONS

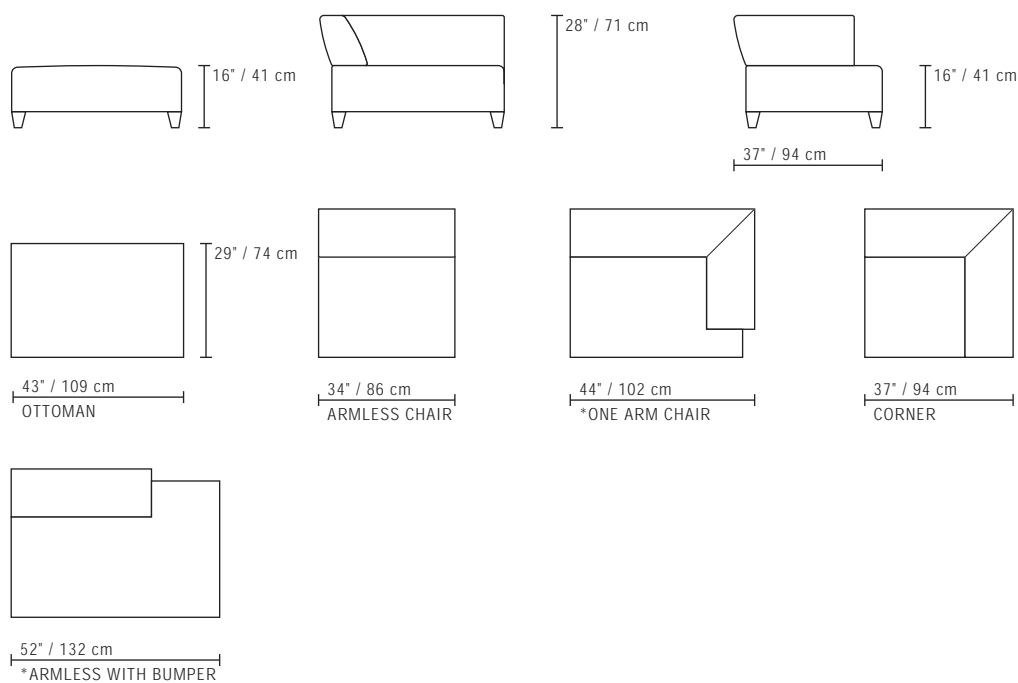
FRAME: Select hardwood and industrial grade plywood covered with polyurethane foam and polyester fiber.

SUSPENSION: 3" unidirectional webbing.

CUSHIONS: Seat & back; multiple density and IFD polyurethane foam wrapped with polyester fiber.

UPHOLSTERY: Fabrics; all edges are serged and top stitched. Leather top stitched.

LEGS: Polished chrome or wooden leg available in all leg finish options with upcharge.



Specifications are subject to change without notice.

©2003 Dellarobbia, Inc.

DELLAROBBIA

www.dellarobbiausa.com