

Tech



Design: Cory Grosser



Tech C-33

CONFIGURATIONS

OTTOMAN • CHAIR

*Top view shown at 1/4" scale.

SPECIFICATIONS

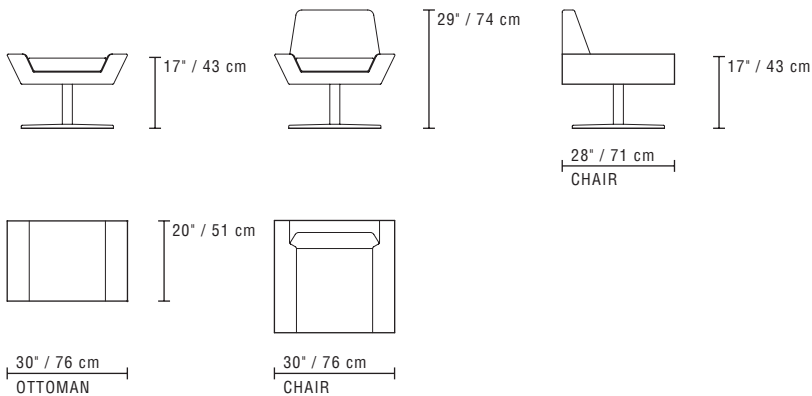
FRAME: Select hardwood and industrial grade plywood covered with polyurethane foam and polyester fiber.

SUSPENSION: 2" elastic webbing.

CUSHIONS: Seat; multiple density and IFD polyurethane foam wrapped with polyester fiber.

UPHOLSTERY: Fabrics; all edges are serged and top stitched. Leather; top stitched.

LEGS: Polished chrome.



Specifications are subject to change without notice.
©2003 Dellarobbia, Inc.

DELLAROBBIATM