

Alex



MODEL: AC-2206

DESIGN: DS STUDIO

Alex

AC-2206

SPECIFICATIONS

FRAME: Select hardwood and industrial grade plywood covered with polyurethane foam and polyester fiber.

SUSPENSION: 3" unidirectional webbing.

CUSHIONS: Seat ; multiple density/IFD polyurethane foam combined with serene air technology wrapped with polyester fiber.

Back Pillow ; 50% 90/10 white feather & down and 50% polyester fiber.

UPHOLSTERY: Fabrics; all edges are serged and top stitched.

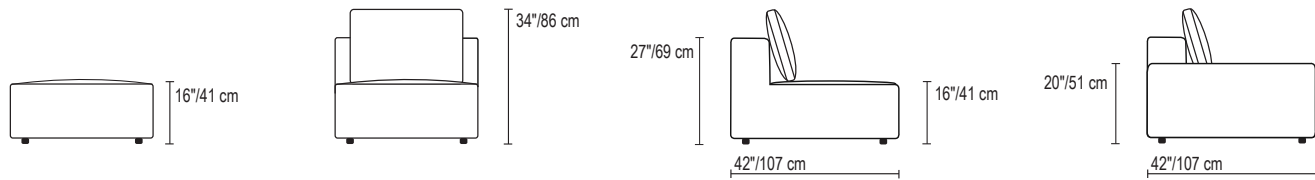
LEG : Plastic glide.

SEAT DEPTH: Seat depth with back cushion approx. 22"/56 cm.

Seat depth w/out back cushion approx. 30"/76 cm.

NOTE : Accent pillow not included, please see accent pillow columns for pricing.

*Line drawing shown as right facing, also available as left facing. Top view shown approximate 1/4" scale

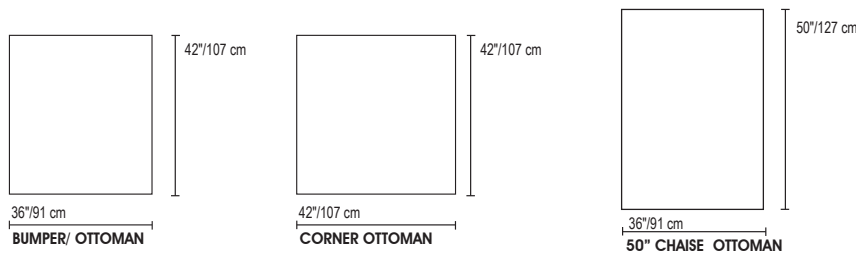


23" LUMBAR PILLOW
23"/58 cm x 2"/5 cm x 14"/34 cm

30" BACK PILLOW
30"/76 cm x 2"/5 cm x 19"/48 cm

32" ARM
15"/38 cm x 32"/81 cm x 20"/51 cm

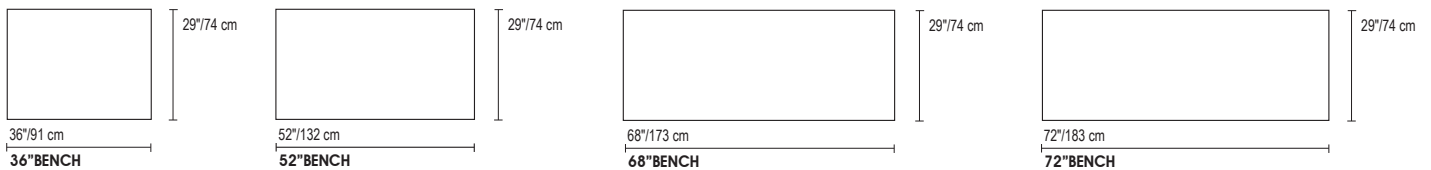
42" ARM
15"/38 cm x 42"/107 cm x 20"/51 cm



36" BUMPER/ OTTOMAN

42" CORNER OTTOMAN

50" CHAISE OTTOMAN

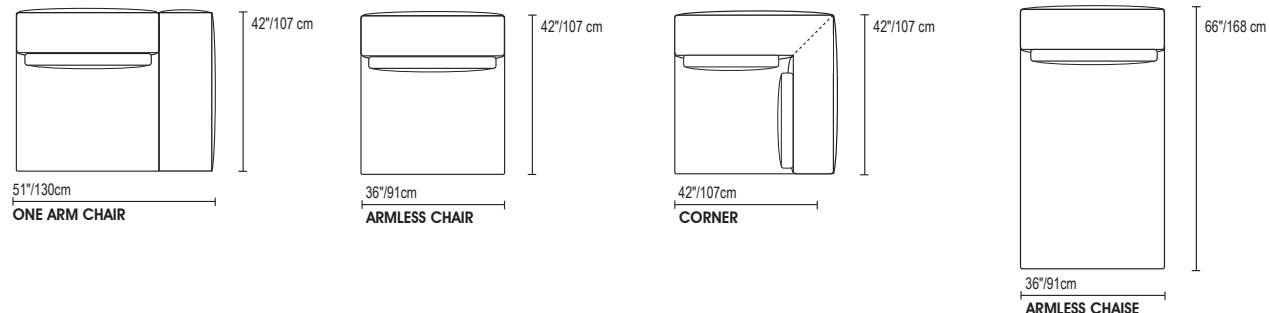


36" BENCH

52" BENCH

68" BENCH

72" BENCH



51"/130cm ONE ARM CHAIR

36"/91cm ARMLESS CHAIR

42"/107cm CORNER

36"/91cm ARMLESS CHAISE

Specifications are subject to change without notice. [HP-F-20-R.3]

© 2023 Dellarobbia, Inc. All rights reserved.

DELLAROBBI
www.dellarobbia.com